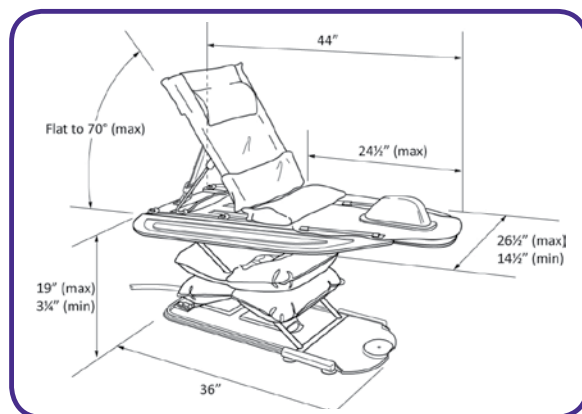


Surfer Bather

The Surfer Bather is a safe way of securely transferring a child in and out of the bath tub.



Bath time play for children aids sensory development



Product code: MPCA040208

Easy to fit

- Fits into a bath tub by securing the base board suction cups firmly to the tub
- Elevates and lowers the child at the touch of a button
- Adjustable backrest and seat
- Adjustable pommel available

Simple to maintain

- Can be removed and cleaned with ease
- Rinse with clean water after each bath and leave it to dry inflated

Safe to use

- Holds the child securely in the seat during the transfer into and out of the bath tub
- Includes side rails and leg straps for additional safety
- Fully waterproof hand control (IP67)
- Battery operated – no electric cables

Improves wellbeing

- Perfect for parents and carers who struggle to lift a child into and out of the bath tub
- Bath time is a fun part of the day for both child and parent
- Lowers the child right to the bottom of the tub so they are completely covered in water and benefit from the therapeutic properties of bathing
- Remove from the bath tub when not in use to enable a more flexible environment for shared bathrooms

Technical Specifications

Max user weight	110 lbs
Max user height	4'5"
Max height	19"
Min height	3 1/4"
Seat depth	24"
Total length	44"
Width (max-min)	26.5" 14.5"
Total product weight	19 lbs
Backrest angle adjustment	Flat to 70 degrees
Back/headrest length	22"
Airflo Compressor	12
Lifting performance per charge	20 lifts

Lighthouse Medical Ltd,

#3, 91 Golden Drive, Coquitlam, BC V3K 6R2

Ph: 1-866-609-6827

Fx: 1-866-614-5619

www.lighthousemedicaltd.com